

SW #1	SW #2	SW #3	TIME DELAY
DN	DN	DN	10 SECONDS
DN	DN	OFF	30 SECONDS
DN	OFF	DN	1 MINUTE
DN	OFF	OFF	3 MINUTES
OFF	DN	DN	5 MINUTES
OFF	DN	OFF	10 MINUTES
OFF	OFF	DN	20 MINUTES
OFF	OFF	OFF	30 MINUTES

DIP SWITCH SETTINGS FOR PHOTO CELL CONTROL.

SW #4	SW #5	MODE DESCRIPTION
DN	DN	24 HOUR MODE
OFF	DN	DAY ONLY MODE
DN	OFF	NIGHT ONLY MODE
OFF	OFF	TEST MODE

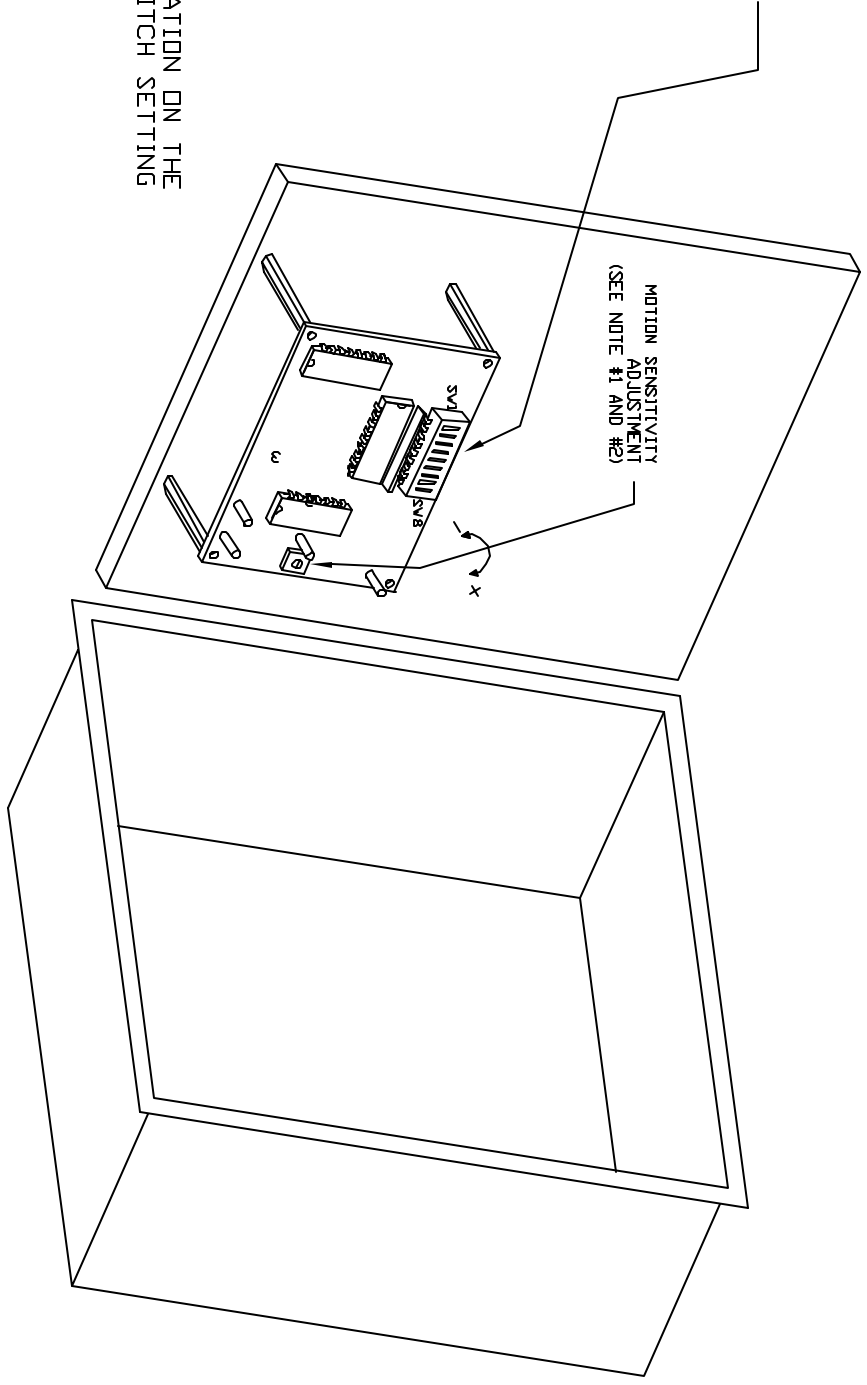
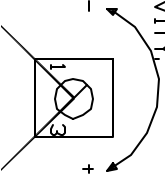
DIP SWITCH SETTINGS FOR CAMERA CONTROL MODE.

SW #6	SW #7	MODE DESCRIPTION
DN	DN	DN / OFF / DN MODE
OFF	DN	REFRESH MODE
DN	OFF	DN / OFF MODE
OFF	OFF	STATIC MODE

NOTE:
SEE WEBSITE FOR INFORMATION ON THE ENHANCED OPTION DIP SWITCH SETTING

NOTES:

1. RANGE AT MINIMUM SETTING IS APPROX. 20 FEET. RANGE AT MAX ADJUSTMENT IS APPROX. 60 FEET.
2. DEPENDING ON THE POTENTIOMETER MANUFACTURER, THE POTENTIOMETER MAY HAVE TO BE TURNED THE EXACT OPPOSITE THAN THE DIAGRAM SHOWS IN ORDER TO INCREASE/DECREASE TIME DELAY/SENSITIVITY. AS A GENERAL RULE OF THUMB, TURNING THE POT TOWARDS THE '1' DECREASES THE DELAY TIME/SENSITIVITY AND TURNING THE POT TOWARDS THE '3' INCREASES THE TIME DELAY/SENSITIVITY.



FieldPiX

Game Camera Systems

SIZE	FSCM NO.	DWG. NO.	REV
SCALE	NONE	CB-4 ENCLOSURE MOUNTING ADJUSTMENT SETTINGS	0
	PRELIMINARY	SHEET	