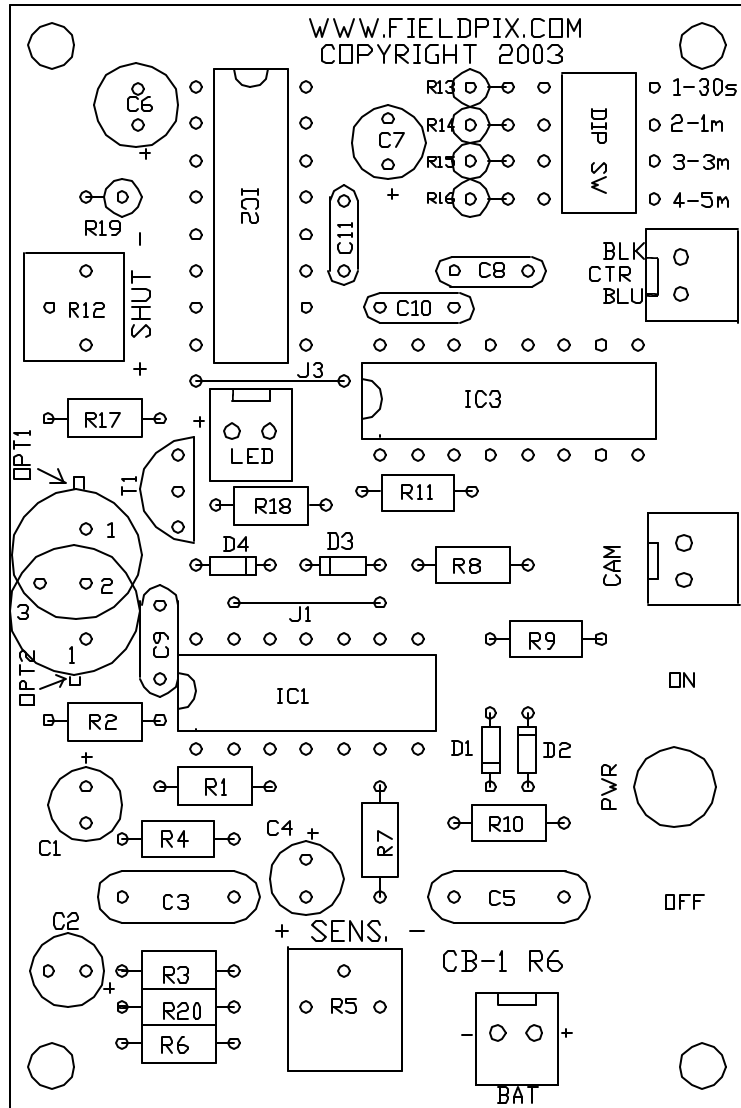


WWW.FIELDPIX.COM
COPYRIGHT 2003



HINT

USE A TRIMMED PIECE FROM
A RESISTOR FOR THE JUMPERS
AND SWITCH CONNECTION

RESISTORS

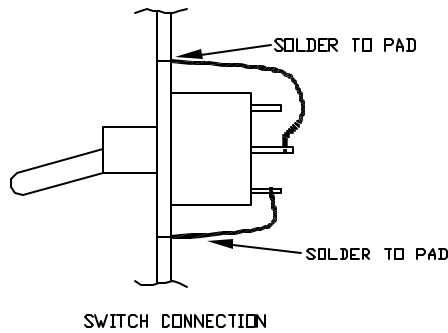
- R1=10K (Brown, Black, Orange)
- R2=100K (Brown, Black, Yellow)
- R3=10K (Brown, Black, Orange)
- R4=1M (Brown, Black, Green)
- R5=100K POTENTIOMETER
- R6=10K (Brown, Black, Orange)
- R7=15K (Brown, Green, Orange)
- R8=1M (Brown, Black, Green)
- R9=1M (Brown, Black, Green)
- R10=1M (Brown, Black, Green)
- R11=1M (Brown, Black, Green)
- R12=500K POTENTIOMETER
- R13=300K (Orange, Black, Yellow)
- R14=620K (Blue, Red, Yellow)
- R15=1.8M (Brown, Grey, Green)
- R16=3M (Orange, Black, Green)
- R17=1K (Brown, Black, Red)
- R18=6.8K (Blue, Grey, Red)
- R19=100K (Brown, Black, Yellow)
- R20=15K (Brown, Green, Orange)

CAPACITORS

- C1=10mF ELECTROLYTIC
- C2=10mF ELECTROLYTIC
- C3=0.1mF RADIAL LEAD
- C4=10mF ELECTROLYTIC
- C5=0.1mF RADIAL LEAD
- C6=22mF ELECTROLYTIC
- C7=100mF ELECTROLYTIC
- C8=0.01mF RADIAL LEAD
- C9=0.01mF RADIAL LEAD
- C10=0.01mF RADIAL LEAD
- C11=0.01mF RADIAL LEAD

MISC

- J1 TO J3=JUMPER
- D1 TO D4=1N914
- IC1=LM324 OR LM224
- IC2=CD4538
- IC3=DG442
- PIR=RE200B
- LED=2V



ATTENTION!

DO NOT CONNECT THE BATTERIES
BACKWARDS!! THE CIRCUIT BOARD
DOES NOT HAVE ANY REVERSE
POLARITY PROTECTION!

FIELDPIX
Game Camera Systems

SIZE	FSCM NO.	DWG NO.	REV
		CB-1 LAYOUT	7
SCALE	NONE	SHEET	