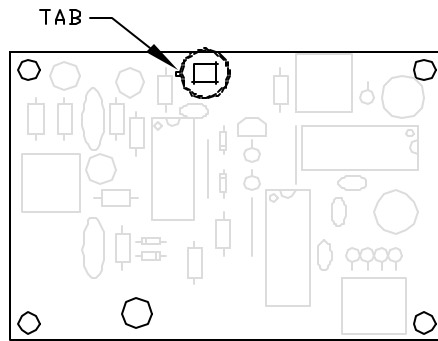
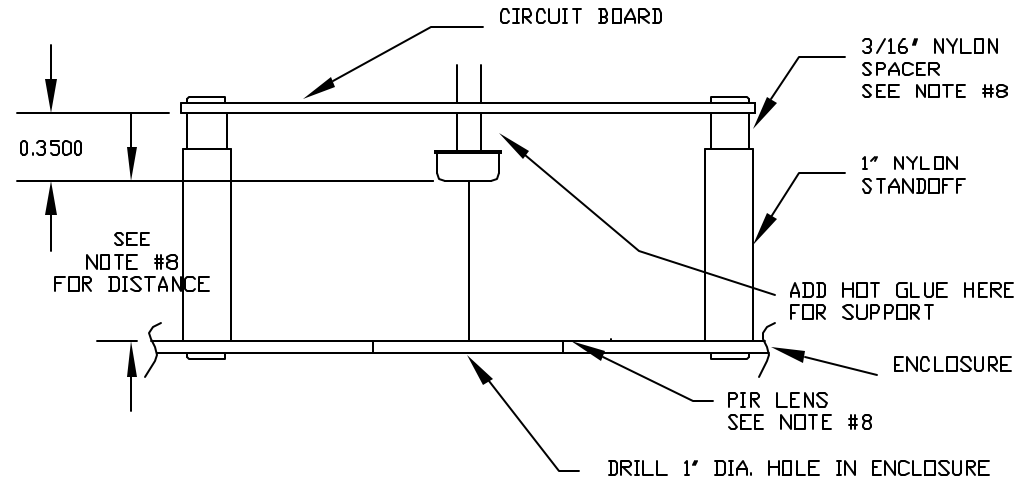


OPTION 1. PIR ON COPPER TRACE SIDE



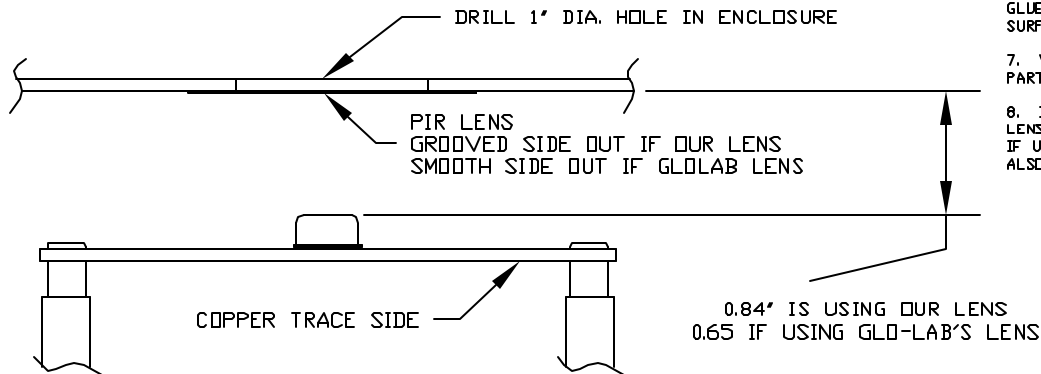
OPTION 2. PIR SAME SIDE AS COMPONENTS



LENS MOUNTING - OPTION 1

NOTES:

1. FOR OPTION 1, SOLDER THE PIR ON THE COPPER TRACE SIDE OF THE CIRCUIT BOARD. FOR OPTION 2, SOLDER THE PIR ON THE SAME SIDE AS THE OTHER COMPONENTS.
2. FOR OPTION 1 ONLY, MAKE SURE THE PIR IS MOUNTED EXACTLY 0.35 INCHES FROM THE CIRCUIT BOARD. THIS DRAWING IS PRINTED TO SCALE, SO USE THE SIDE VIEW AS A REFERENCE.
3. MAKE SURE THE TAB ON THE PIR IS ORIENTATED AS IN THE DRAWING.
4. AFTER SOLDERING, IT IS RECOMMENDED TO USE NON-CONDUCTING HOT GLUE BETWEEN THE PIR AND CIRCUIT BOARD TO HELP SUPPORT THE PIR.
5. TRIM OFF THE EXCESS WIRE PROTRUDING FROM THE OTHER SIDE OF THE CIRCUIT BOARD.
6. MOUNT THE PIR LENS SO THE MIDDLE OF THE LENS IS CENTERED ON THE PIR. DOUBLE SIDED TAPE SUCH AS CARPET TAPE WORKS WELL TO ADHERE THE LENS TO THE ENCLOSURE. YOU CAN ALSO USE GLUE/SEALANT TO HOLD LENS IN PLACE BEING CAREFULL NOT TO GET GLUE/SEALANT ON THE LENS SURFACE.
7. WHEN MOUNTING THE CIRCUIT BOARD TO THE ENCLOSURE BE SURE TO MOUNT IT SO THE LONGEST PART OF THE BOARD IS PARALLEL TO THE GROUND.
8. IF THE PIR LENS WAS SUPPLIED BY US THEN USE THE 3/16" SPACERS PROVIDED AND MOUNT THE LENS WITH THE GROOVED SIDE OF THE LENS AWAY FROM THE PIR. OUR LENS HAS A .84" FOCAL POINT. IF USING GLO-LAB'S LENS DO NOT USE THE 3/16" SPACER AS THEIR LENS HAS A .65" FOCAL POINT. ALSO, GLO-LAB'S LENS MOUNTS WITH THE GROOVED SIDE TOWARDS THE PIR.



LENS MOUNTING - OPTION 2

FieldPix <i>Game Camera Systems</i>			
SIZE	FSCM NO.	DWG NO.	REV
		CB-1 PIR MOUNTING DETAIL	2
SCALE NONE		SHEET	