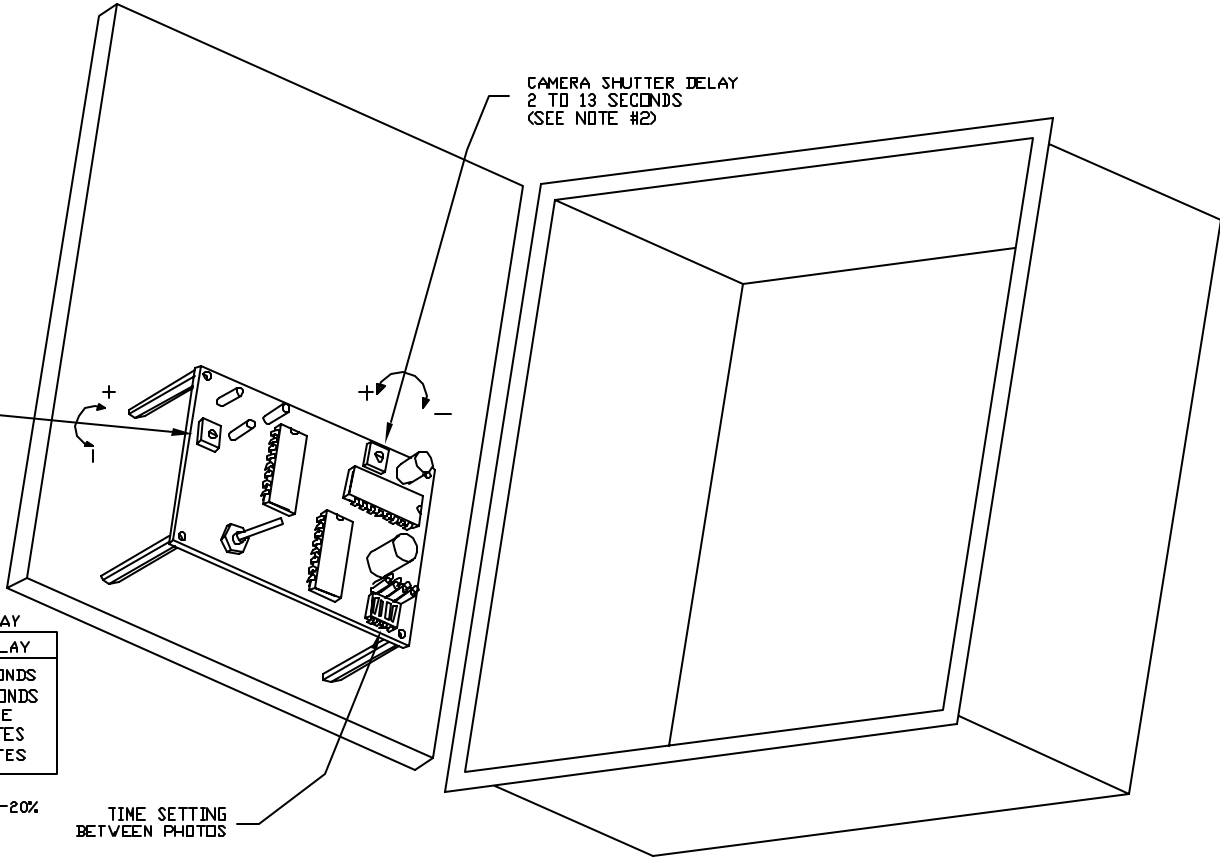


CAMERA SHUTTER DELAY
2 TO 13 SECONDS
(SEE NOTE #2)

MOTION SENSITIVITY
ADJUSTMENT
(SEE NOTE #1 AND #2)



DIP SWITCH SETTINGS FOR TIME DELAY

SV #1	SV #2	SV #3	SV #4	TIME DELAY
ON	ON	ON	ON	18 SECONDS
ON	OFF	OFF	OFF	30 SECONDS
OFF	ON	OFF	OFF	1 MINUTE
OFF	OFF	ON	OFF	3 MINUTES
OFF	OFF	OFF	ON	5 MINUTES

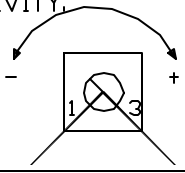
NOTE:
TIME DELAY MAY VARY AS MUCH AS 15-20%

TIME SETTING
BETWEEN PHOTOS

NOTES:

1. RANGE AT MINIMUM SETTING IS APPROX. 20 FEET. RANGE AT MAX ADJUSTMENT IS APPROX. 60 FEET.

2. DEPENDING ON THE POTENTIOMETER MANUFACTURER, THE POTENTIOMETER MAY HAVE TO BE TURNED THE EXACT OPPOSITE THAN THE DIAGRAM SHOWS IN ORDER TO INCREASE/DECREASE TIME DELAY/SENSITIVITY! AS A GENERAL RULE OF THUMB, TURNING THE POT TOWARDS THE '1' DECREASES THE DELAY TIME/SENSITIVITY AND TURNING THE POT TOWARDS THE '3' INCREASES THE TIME DELAY/SENSITIVITY.



FieldPix

Game Camera Systems

SIZE	FSCM NO.	DWG NO. CB-1 ENCLOSURE MOUNTING CB-1 ADJUSTMENT SETTINGS	REV 1
SCALE	NONE	SHEET	