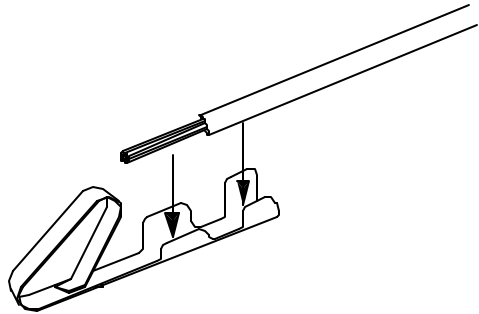
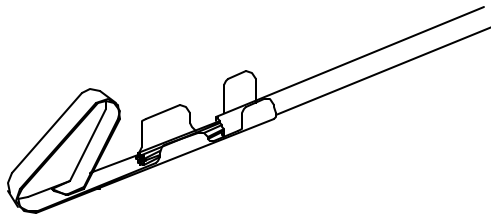


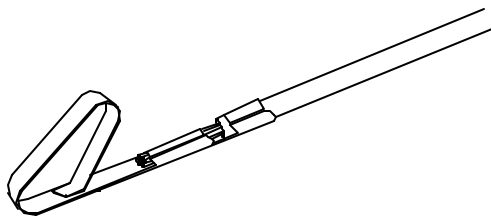
1. STRIP 24-28 GA WIRE AS SHOWN



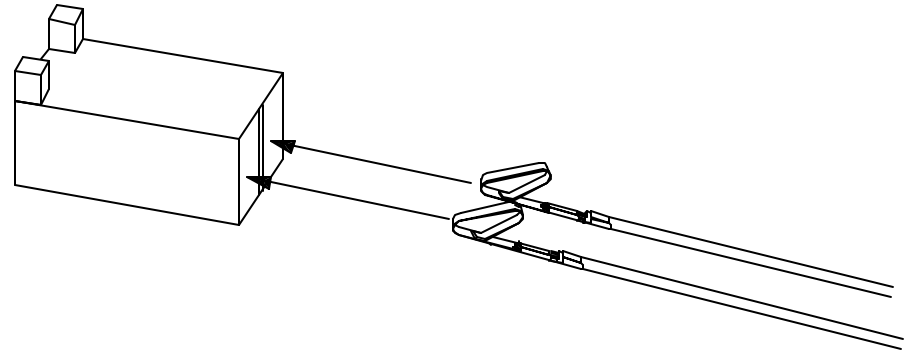
2. PLACE WIRE INTO TERMINAL, ALLOWING THE INSULATION TO FILL THE BACK END OF THE TERMINAL.



3. CAREFULLY CRIMP THE TERMINAL TO THE WIRE AND INSULATION. FOR EXTRA HOLD, USE SOLDER.



CRIMPING THE PINS



2-PIN CONNECTOR - PHYSICAL CONNECTIONS

FieldPix
Game Camera Systems

SIZE	FSCM NO.	DWG NO. 2-PIN CONNECTOR TO CIRCUIT BOARD	REV 0
SCALE NONE	DATE 09/14/02	SHEET	